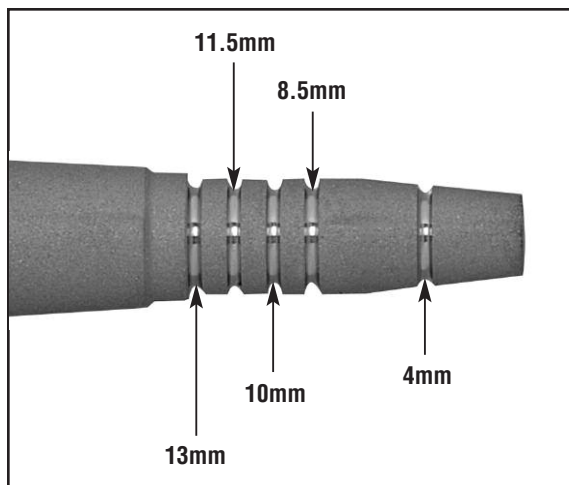


OSSEOTITE NT® OSTEOTOMES

The OSSEOTITE NT Osteotomes are available as both straight and angled.

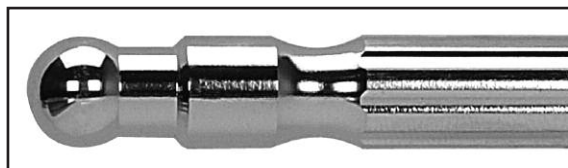
There are four straight and four angled OSSEOTITE NT Osteotome sizes available. The sizes correspond with the diameters of the OSSEOTITE NT implants (3.25mm, 4.0mm, 5.0mm and 6.0mm).

The depth markings are machine etched into the **matte finished tip surface**. This enhances depth line visibility, makes the depth line permanent and reduces the possibility of corrosion on the operating tip.



The depth lines are aligned to indicate crestal placement of the OSSEOTITE NT Implant.

		Width At 4mm Line	Width At 8.5mm Line
NTOST3	NTOST3A	2.6mm	3.0mm
NTOST4	NTOST4A	3.1mm	3.5mm
NTOST5	NTOST5A	3.9mm	4.4mm
NTOST6	NTOST6A	4.8mm	5.4mm



The ball at the striking end of the osteotome is more forgiving of off-angled mallet strikes, delivering more force in a linear vector to the operating end.

Standard osteotome procedures are to be followed when using the OSSEOTITE NT Osteotomes.



Straight And Angled Osteotomes

Straight OSSEOTITE NT 3.25mm	NTOST3
Straight OSSEOTITE NT 4.0mm	NTOST4
Straight OSSEOTITE NT 5.0mm	NTOST5
Straight OSSEOTITE NT 6.0mm	NTOST6
Angled OSSEOTITE NT 3.25mm	NTOST3A
Angled OSSEOTITE NT 4.0mm	NTOST4A
Angled OSSEOTITE NT 5.0mm	NTOST5A
Angled OSSEOTITE NT 6.0mm	NTOST6A
Straight OSSEOTITE NT Kit (Includes all 4 sizes and sterilization case)	NTOST0
Angled OSSEOTITE NT Kit (Includes all 4 sizes and sterilization case)	NTOST0A



Implant Innovations, Inc.
 Global Headquarters
 4555 Riverside Drive
 Palm Beach Gardens, FL 33410
 1-800-342-5454
 Outside The U.S.: +1-561-776-6700
 Fax: +1-561-776-1272
 www.3i-online.com



3i and design, OSSEOTITE NT are registered trademarks of Implant Innovations, Inc.
 © 2004 Implant Innovations, Inc. All rights reserved.



ART842

REV. B 08/04

SUBSIDIARIES

AUSTRALIA
 Phone: +61-2-9855-4444
 Fax: +61-2-9888-9900

BELGIUM
 Phone: +32-2-5410290
 Fax: +32-2-5410291

BRAZIL
 Phone: +55-11-5081-4405
 Fax: +55-11-5081-7484

CANADA
 Phone: +514-956-9843
 Fax: +514-956-9844

FRANCE
 Phone: +33-1-41054343
 Fax: +33-1-41054340

GERMANY
 Phone: +49-721-6314-220
 Fax: +49-721-6314-233

MEXICO
 Phone: +52-55-5679-1619
 Fax: +52-55-5684-8098

THE NETHERLANDS
 Phone: +31-70-345-14-82
 Fax: +31-70-345-39-44

NORDIC REGION
 Phone: +46-40-17-6090
 Fax: +46-40-17-6099

PORTUGAL
 Phone: +351 21 000 1645
 Fax: +351 21 000 1675

SPAIN
 Phone: +34-93-470-59-50
 Fax: +34-93-372-11-25

SWITZERLAND
 Phone: +41-1-3804646
 Fax: +41-1-3834655

U.K.
 Phone: +44-1628-829314
 Fax: +44-1628-820182

DISTRIBUTORS

ARGENTINA
 Dentalmax, SA
 Phone: +541-1482-71001
 Fax: +541-1482-67373

AUSTRIA
 Wieladent
 Phone: +43-7672-93901
 Fax: +43-7672-93903

CHILE
 Cybel, SA
 Phone: +56-2-2321883
 Fax: +56-2-2330176

COLOMBIA
 Implantec y Componentes
 Phone: +571-612-9362
 Fax: +571-620-5450

COSTA RICA
 Implantec S.A.
 Phone: +506-2-256411
 Fax: +506-2-247620

EL SALVADOR
 Dentimer SA de CV
 Phone: +503-263-6350
 Fax: +503-263-6676

GREECE
 Kostas Kornisoris and Co.
 Phone: +302310-269-079
 Fax: +302310-555-573

ISRAEL
 H.A. Systems
 Phone: +972-3-6138777
 Fax: +972-3-6138778

ITALY
 Biomax, srl.
 Phone: +39-0444-913410
 Fax: +39-0444-913695

JAPAN
 Implant Innovations Japan
 Phone: +81-66-868-3012
 Fax: +81-66-868-2444

KOREA
 Jungsan Biomed Corp.
 Phone: +82-2-516-1808
 Fax: +82-2-514-9434

LEBANON
 Tamer Freres s.a.l.
 Phone: +961-1-485690
 Fax: +961-1-510233

PANAMA
 Odontomedica, S.A.
 Phone: +507-2-239622
 Fax: +507-2-239621

PARAGUAY
 Andres H. Arce y Cia SRL
 Phone: +595-21-208185
 Fax: +595-21-496291

POLAND
 Dental Depot
 Phone: +48-71-341-3091
 Fax: +48-71-343-6560

SINGAPORE
 Asia Implant Support & Services
 Phone: +65-6223-2229
 Fax: +65-6220-3538

TAIWAN
 Kuo Hwa Dental Suppliers Co., Ltd.
 Phone: +886-2-2226-1770
 Fax: +886-2-2226-8747

THAILAND
 PT Endeavour Co., Ltd.
 Phone: +662-264-2574
 Fax: +662-264-2573

UKRAINE
 Olimpex
 Phone: +380-44-246-9678
 Fax: +380-44-246-9678

URUGUAY
 Pro3implant S.R.L.
 Phone: +598-2-23160
 Fax: +598-2-34163