

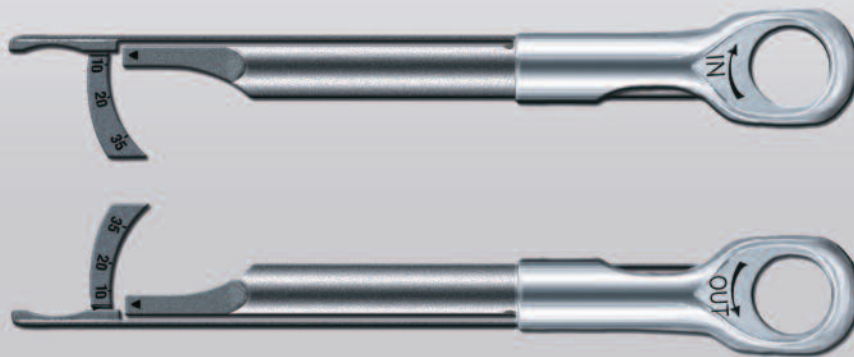


The Low Torque Indicating Ratchet Wrench (L-TIRW)

Sleek and Easy to Use

Multifunctional Design And Exceptional Quality

The Low Torque Indicating Ratchet Wrench (L-TIRW), with its design and quality, is an outstanding tool for working with dental implant restorations. Consisting of only two parts, this innovative design provides more functions than most other torque wrenches on the market.



Multi-Directional Function

The L-TIRW can deliver and indicate torque when used in forward or reverse directions.



Easy To Separate And Assemble

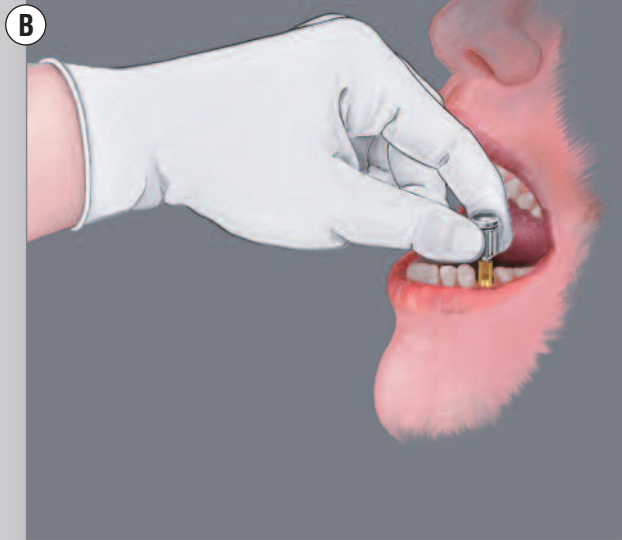
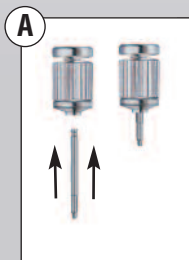
Consisting of only two parts, the L-TIRW is easy to prepare for sterilization.

Multifunctional

The L-TIRW doubles as a manual driver to insert components and as a torque indicator to provide a visual assessment of torque.

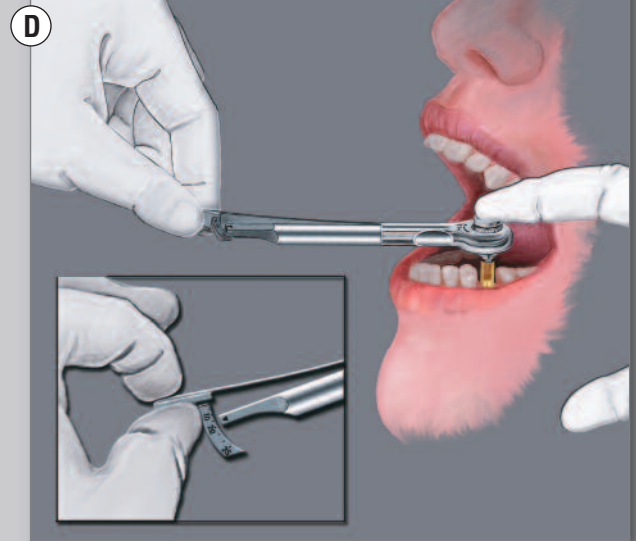
Manual Driver

- A** Insert an ISO-latch tip into the adapter.
- B** Rotate the adapter clockwise to insert the screw.



Torque Indicator

- C** Mount the L-TIRW onto the adapter.
- D** Once assembled, push the torque arm clockwise to turn the wrench and apply torque to the screw.



Ordering Information

| | |
|-----------|---|
| L-TIRW | Low Torque Indicating Ratchet Wrench Includes: L-TIRW Standard ISO 1797 Adapter (C9980) |
| L-TIRWK | L-TIRW Kit Includes: Low Torque Indicating Ratchet Wrench (L-TIRW), L-TIRW Standard ISO 1797 Adapter (C9980), Torque Indicating Ratchet Wrench Tray (RTI2035TR), Narrow Right Angle Large Hexed Driver Tip 24MM (RASH3N), Narrow Right Angle Square Driver Tip 24MM (RASQ3N) |
| RTI2035TR | Torque Indicating Ratchet Wrench Tray |
| C9980 | L-TIRW Standard ISO 1797 Adapter |
| C9981 | L-TIRW Short ISO 1797 Adapter |

For More Information On The L-TIRW, Please Contact Your Local BIOMET 3i Sales Representative



Global Headquarters
4555 Riverside Drive
Palm Beach Gardens, FL 33410
1-800-342-5454
Outside The U.S.: +1-561-776-6700
Fax: +1-561-776-1272
www.biomet3i.com

To Receive Information About BIOMET 3i's Products, Services And Events By Email, Visit Our Website At www.biomet3i.com



REV A 11/09

BIOMET is a registered trademark and BIOMET 3i and design are trademarks of BIOMET, Inc.
©2010 BIOMET 3i LLC. All rights reserved.

SUBSIDIARIES

AUSTRALIA
Phone: +61-2-9885-4444
Fax: +61-2-9888-9900

AUSTRIA
Phone: +43-(0)6235-200-45
Fax: +43-(0)6235-200-45-9

BELGIUM
Phone: +32-2-5410290
Fax: +32-2-5410291

BRAZIL
Phone: +55-11-5081-4405
Fax: +55-11-5081-7484

CANADA
Phone: +514-956-9843
Fax: +514-956-9844

FRANCE
Phone: +33-1-41054343
Fax: +33-1-41054340

GERMANY
Phone: +49-721-255177-10
Fax: +49-721-255177-73

IRELAND
Phone: +353-1-800-552-752
Fax: +44-1628-820182

JAPAN
Phone: +81-66868-3012
Fax: +81-66868-2444

KOREA
Phone: +82-2-5678-550
Fax: +82-2-5678-577

MEXICO
Phone: +52-55-2282-0120
Fax: +52-55-2282-0120 ext. 20

THE NETHERLANDS
Phone: +31-(0)78-828-2800
Fax: +31-(0)78-829-2801

NEW ZEALAND
Phone: +64-508-122-221
Fax: +64-508-133-331

NORDIC REGION
Phone: +46-40-17-6090
Fax: +46-40-17-6099

PORTUGAL
Phone: +351-21-000-1647
Fax: +351-21-000-1675

SPAIN
Phone: +34-93-470-59-50
Fax: +34-93-372-11-25

SWITZERLAND
Phone: +41-(0)44-200-76-00
Fax: +41-(0)44-200-76-01

U.K.
Phone: +44-800-652-1233
Fax: +44-1628-820182

DISTRIBUTORS

ARGENTINA
Dentalmax SA
Phone: +541-1482-71001
Fax: +541-1482-67373

CHILE
Cybel SA
Phone: +56-2-2321883
Fax: +56-2-2330176

CHINA
Atek Inc.
Phone: +86-21-6329-1265
Fax: +86-21-6329-1620

COLOMBIA
3i Colombia
Phone: +57-1-612-9362
Fax: +57-1-620-6412

COSTA RICA
Implantees S.A.
Phone: +506-234-9043
Fax: +506-224-7620

EL SALVADOR
Dentimerc SA de CV
Phone: +503-263-6350
Fax: +503-263-6676

GREECE
Impladend Dental Implants, LLC
Phone: +30-2310-501-651
Fax: +30-2310-862-090

ISRAEL
H.A. Systems
Phone: +972-3-6138777
Fax: +972-3-6138778

HONG KONG
Ostek Inc., Ltd.
Phone: +852-8121-6601
Fax: +852-3747-3754

ITALY
Biomax srl.
Phone: +39-0444-913410
Fax: +39-0444-913695

MIDDLE EAST
3i MENA s.a.l.
Middle East And North Africa
Phone: +961-1-694000
Fax: +961-1-694222

PARAGUAY
Andres H. Arce y Cia SRL
Phone: +595-21-208185
Fax: +595-21-496291

POLAND
Dental Depot Wasio
Phone: +48 71 335 70 71
Fax: +48 71 335 70 90

RUSSIA
Com-Dental
Phone: +7-495-580-3080
Fax: +7-495-580-3081

SINGAPORE
Asia Implant Support & Services
Phone: +65-6223-2229
Fax: +65-6220-3538

SOUTH AFRICA
Selective Surgical CC
Phone: +27-11-991-7007
Fax: +27-11-672-1391

TAIWAN
Kuo Hwa Dental Suppliers Co., Ltd.
Phone: +886-2-2226-1770
Fax: +886-2-2226-8747

THAILAND
3i (Thailand) Co., LTD.
Phone: +662-252-6685
Fax: +662-252-6686

TURKEY
Tamer Med. A.S.-Turkey
Phone: +90-212-465-3352
Fax: +90-212-465-3502

UKRAINE
Com-Dental
Phone: +38-067-7007667
Fax: +38-044-5017117

URUGUAY
Pro3i Implant S.R.L.
Phone: +598-2-4034163
Fax: +598-2-4034163

VIETNAM
D.O.E.
(Dentistry Of Excellence Vietnam)
Phone: +84 89 25 37 03
Fax: +84 89 25 37 00